

# CARBON FOOTING SYMMETRIC

W: [www.slatnar.com](http://www.slatnar.com) E: [info@slatnar.com](mailto:info@slatnar.com)

## PLACE CARBON ON THE SHOE

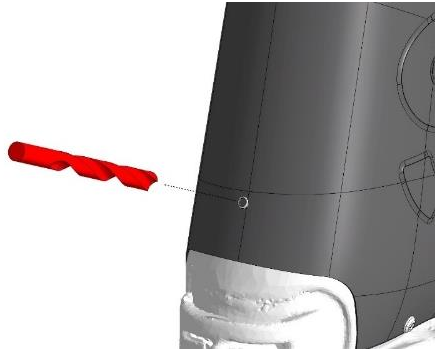
- Check carbon placement for proper fit.
- If carbon sticks out from laces part, mark excess with white marker.
- Cut off marked excess.
- Ensure carbon matches shoe.

We use Dremel rotary tool with a diamond cutting disc.



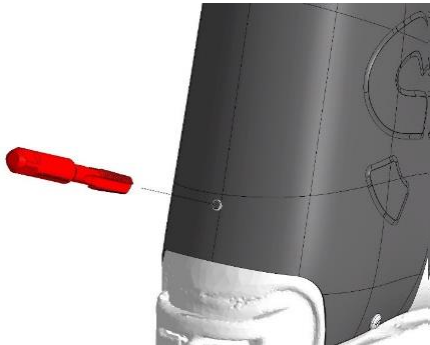
## DRILL BIT M3.5

Make holes into carbon and shoes with drill bit size - **M3.5**



## THREADED DRILL M4

Make holes into carbon and shoes with threaded drill size **M4**



## SCREWS TX20 - M4X8

Fasten carbon with screws TX20 - **M4x8**

